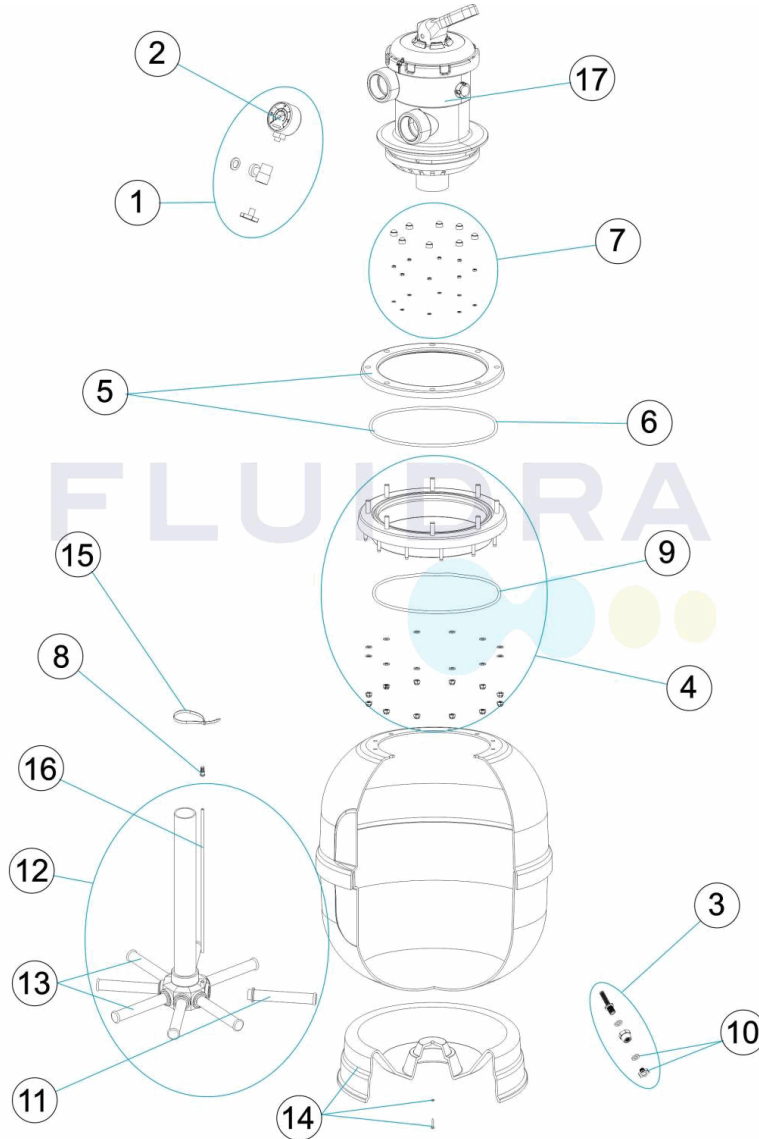


CODIGO **30768, 30769, 30770, 30771, 30772, 33847, 33848, 35586**

DESCRIPCION: **FILTRO ASTER VALVULA TOP**



**ESPAÑOL**

POS	CODIGO	DESCRIPCION	POS	CODIGO	DESCRIPCION
1	4404220101	MANOMETRO COMPLETO	12	* 4404270018	CJTO. COLECTOR D.350 TOP 1"
2	4404220102	MANOMETRO 1/8" 3 KG/C "	12	* 4404270019	CJTO. COLECTOR D.450 TOP 1"
3	4404010108	PURGA AGUA 3/8"	12	* 4404270020	CJTO. COLECTOR D.500 TOP 1"
4	4404160809	ARO CUELLO 20 TORNILLOS	12	* 4404270021	CJTO. COLECTOR D.550 TOP 1"
5	4404260105	ARO FIJACION VALVULA TOP 1 1/2"	12	* 4404270022	CJTO. COLECTOR D.600 TOP 1"
6	4404260106	JUNTA ARO FIJACION VALVULA	12	* 4404270023	CJTO. COLECTOR D.650 TOP 1"
7	4404260107	TORNILLERIA ARO FIJACION VALVULA	12	* 4404270024	CJTO. COLECTOR D.750 TOP 1"
8	4404040108	PURGA AIRE	12	* 4404270025	CJTO. COLECTOR D.900 TOP 1"
9	4404020116	JUNTA TORICA 255X4	13	* 4404010025	CJTO. BRAZOS COLECTOR D. 400
10	4404040113	TAPON PURGA Y JUNTA	13	* 4404010026	CJTO. BRAZOS COLECTOR
11	* 4404300917	BRAZO COLECTOR 1" 110 M "	13	* 4404010028	CJTO. BRAZOS COLECTOR D. 650
11	* 4404300915	BRAZO COLECTOR 1" 175 M "	13	* 4404010048	CJTO. BRAZOS COLECTOR D. 750
11	* 4404300916	BRAZO COLECTOR 1" 225 M "	14	* 4404010040	PIE FILTRO D. 350

**\* -> VER HOJA DE OBSERVACIONES**

**CODIGO 30768, 30769, 30770, 30771, 30772, 33847, 33848, 35586**

**DESCRIPCION: FILTRO ASTER VALVULA TOP**

11	* 4404290109	BRAZO COLECTOR 1" 265 M "	14	* 4404010088	PIE FILTRO D. 450
14	* 4404010134	PIE FILTRO	16	* 4404300607	TUBO PVC RIGIDO L-525
14	* 4404010113	PIE FILTRO D. 600	16	* 4404301003	PURGA AIRE + TUBO L=670
14	* 4404300924	PIE FILTRO D. 750	16	* 4404300707	TUBO RIGIDO L-845
14	* 4404010093	PIE FILTRO D. 950	17	* 31993	VALVULA SELECTORA 1 1/2"
15	* 00471R0416	BRIDA " UNEX" REF.2244"	17	* 33969	VALVULA SELECTORA 2"

**CODIGO 30768, 30769, 30770, 30771, 30772, 33847, 33848, 35586**

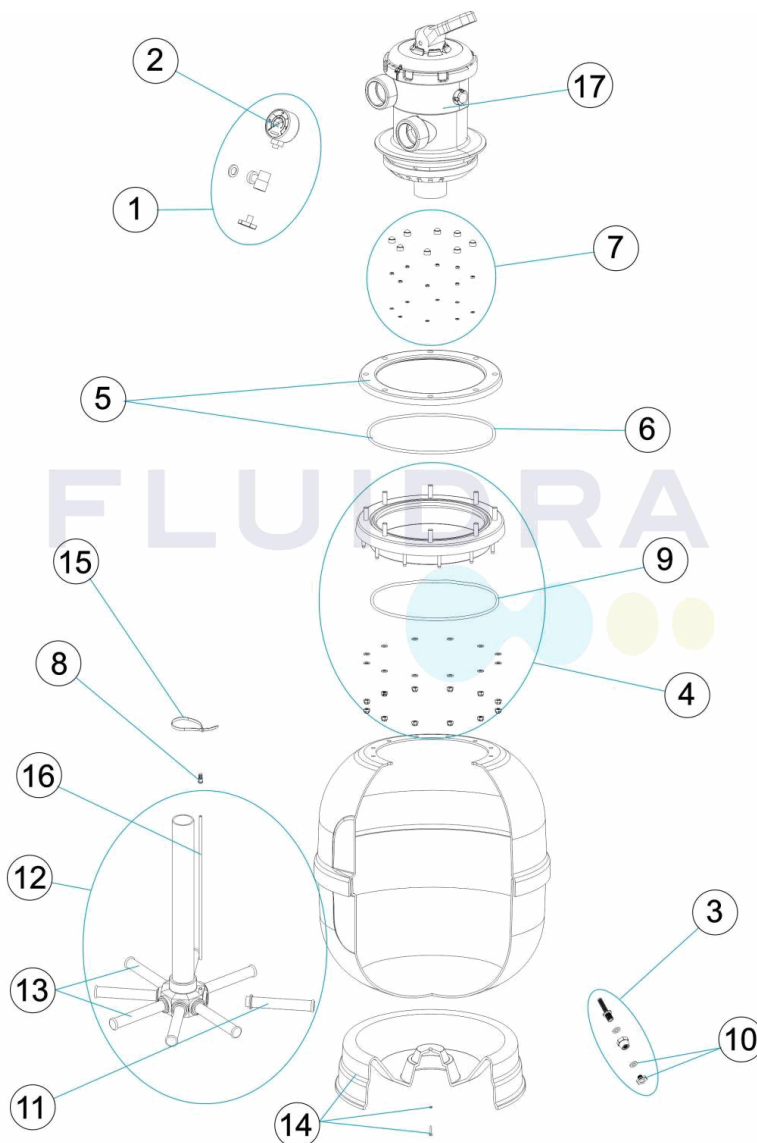
**DESCRIPCION: FILTRO ASTER VALVULA TOP**

### OBSERVACIONES

POS	CODIGO	OBSERVACIONES
11	4404300917	PARA: 30768 [4UT], 30769 [4UT], 30770 [4UT], 35586 [4UT]
11	4404300915	PARA: 30771 [4UT], 30772 [4UT]
11	4404300916	PARA: 33847 [6UT]
11	4404290109	PARA: 33848 [6UT]
12	4404270018	PARA: 30768
12	4404270019	PARA: 30769
12	4404270020	PARA: 30770
12	4404270021	PARA: 35586
12	4404270022	PARA: 30771
12	4404270023	PARA: 30772
12	4404270024	PARA: 33847
12	4404270025	PARA: 33848
13	4404010025	PARA: 30768, 30769, 30770, 35586
13	4404010026	PARA: 30771, 30772
13	4404010028	PARA: 33847
13	4404010048	PARA: 33848
14	4404010040	PARA: 30768
14	4404010088	PARA: 30769
14	4404010134	PARA: 30770, 35586
14	4404010113	PARA: 30771, 30772
14	4404300924	PARA: 33847
14	4404010093	PARA: 33848
15	00471R0416	PARA: 30768, 30769
16	4404300607	PARA: 30768, 30769
16	4404301003	PARA: 30770, 30771, 30772, 35586
16	4404300707	PARA: 33847, 33848
17	31993	PARA: 30768, 30769, 30770, 30771, 30772, 35586
17	33969	PARA: 33847, 33848

CODE **30768, 30769, 30770, 30771, 30772, 33847, 33848, 35586**

DESCRIPTION: **FILTRE ASTER VANNE TOP**



**FRANCAIS**

POS	CODE	DESCRIPTION	POS	CODE	DESCRIPTION
1	4404220101	MANOMETRE COMPLET	12	* 4404270018	ENSEMBLE COLLECTEUR D. 350 TOP 1"
2	4404220102	MANOMETRE 1/8" 3 KG./C "	12	* 4404270019	ENSEMBLE COLLECTEUR D. 450 TOP 1"
3	4404010108	PURGE D'EAU 3/8"	12	* 4404270020	ENSEMBLE COLLECTEUR D. 500 TOP 1"
4	4404160809	BRIDE GORGE 20 VIS	12	* 4404270021	ENSEMBLE COLLECTEUR D. 550 TOP 1"
5	4404260105	BRIDE DE FIXATION VANNE TOP 1 1/2"	12	* 4404270022	ENSEMBLE COLLECTEUR D. 600 TOP 1"
6	4404260106	JOINT BRIDE FIXATION VANNE TOP	12	* 4404270023	ENSEMBLE COLLECTEUR D. 650 TOP 1"
7	4404260107	VIS BRIDE FIXATION VANNE TOP	12	* 4404270024	ENSEMBLE COLLECTEUR D. 750 TOP 1"
8	4404040108	PURGE D'AIR	12	* 4404270025	ENSEMBLE COLLECTEUR D. 900 TOP 1"
9	4404020116	JOINT TORIQUE 255X4	13	* 4404010025	ENSEMBLE BRAS DE REPARTITEUR D. 400
10	4404040113	BOUCHON PURGE ET JOINT	13	* 4404010026	ENSEMBLE BRAS DE REPARTITEUR
11 *	4404300917	BRAS DE REPARTITEUR 1" 110 M "	13	* 4404010028	ENSEMBLE BRAS DE REPARTITEUR D. 650
11 *	4404300915	BRAS DE REPARTITEUR 1" 175 M "	13	* 4404010048	ENSEMBLE BRAS DE REPARTITEUR D. 750
11 *	4404300916	BRAS DE REPARTITEUR 1" 225 M "	14	* 4404010040	SOCLE FILTRE D. 350

**\* -> VOIR FICHE D'OBSERVATIONS**

CODE **30768, 30769, 30770, 30771, 30772, 33847, 33848, 35586**

DESCRIPTION: **FILTRE ASTER VANNE TOP**

11	* 4404290109	BRAS DE REPARTITEUR 1" 265 M/M "	14	* 4404010088	SOCLE FILTRE D. 450
14	* 4404010134	SOCLE FILTRE	16	* 4404300607	TUBE PVC RIGIDE L-525
14	* 4404010113	SOCLE FILTRE D. 600	16	* 4404301003	PURGE AIR + TUBE L=670
14	* 4404300924	SOCLE FILTRE D 750	16	* 4404300707	TUBE RIGIDE L-845
14	* 4404010093	SOCLE FILTRE D. 950	17	* 31993	VANNE MULTIVOIES 1 1/2"
15	* 00471R0416	BRIDE UNEX 2244	17	* 33969	VANNE MULTIVOIES 2"

CODE **30768, 30769, 30770, 30771, 30772, 33847, 33848, 35586**

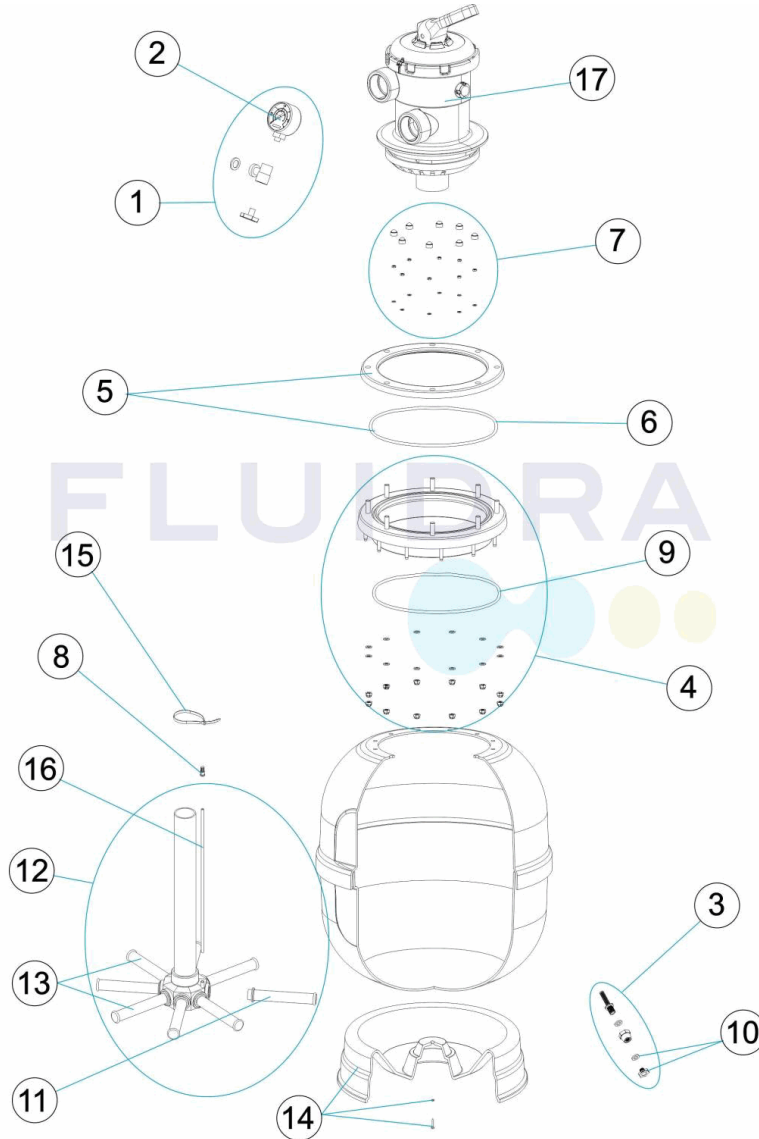
DESCRIPTION: **FILTRE ASTER VANNE TOP**

## OBSERVATIONS

POS	CODE	OBSERVATIONS
11	4404300917	POUR: 30768 [4UT], 30769 [4UT], 30770 [4UT], 35586 [4UT]
11	4404300915	POUR: 30771 [4UT], 30772 [4UT]
11	4404300916	POUR: 33847 [6UT]
11	4404290109	POUR: 33848 [6UT]
12	4404270018	POUR: 30768
12	4404270019	POUR: 30769
12	4404270020	POUR: 30770
12	4404270021	POUR: 35586
12	4404270022	POUR: 30771
12	4404270023	POUR: 30772
12	4404270024	POUR: 33847
12	4404270025	POUR: 33848
13	4404010025	POUR: 30768, 30769, 30770, 35586
13	4404010026	POUR: 30771, 30772
13	4404010028	POUR: 33847
13	4404010048	POUR: 33848
14	4404010040	POUR: 30768
14	4404010088	POUR: 30769
14	4404010134	POUR: 30770, 35586
14	4404010113	POUR: 30771, 30772
14	4404300924	POUR: 33847
14	4404010093	POUR: 33848
15	00471R0416	POUR: 30768, 30769
16	4404300607	POUR: 30768, 30769
16	4404301003	POUR: 30770, 30771, 30772, 35586
16	4404300707	POUR: 33847, 33848
17	31993	POUR: 30768, 30769, 30770, 30771, 30772, 35586
17	33969	POUR: 33847, 33848

CODE **30768, 30769, 30770, 30771, 30772, 33847, 33848, 35586**

DESCRIPTION: **ASTER FILTER TOP VALVE**



**ENGLISH**

POS	CODE	DESCRIPTION	POS	CODE	DESCRIPTION
1	4404220101	COMPLETE PRESSURE GAUGE UNIT	12	* 4404270018	MANIFOLD ASSEMBLY D. 350 TOP 1"
2	4404220102	PRESSURE GAUGE 1/8" 3 KG./C "	12	* 4404270019	MANIFOLD ASSEMBLY D. 450 TOP 1"
3	4404010108	WATER PURGE 3/8"	12	* 4404270020	MANIFOLD ASSEMBLY D. 500 TOP 1"
4	4404160809	20-SCREW NECK RING	12	* 4404270021	MANIFOLD ASSEMBLY D. 550 TOP 1"
5	4404260105	1 1/2" VALVE TOP FIXING RIN "	12	* 4404270022	MANIFOLD ASSEMBLY D. 600 TOP 1"
6	4404260106	VALVE TOP RING FIXING GASKET	12	* 4404270023	MANIFOLD ASSEMBLY D. 650 TOP 1"
7	4404260107	VALVE TOP FIXING RING SCREWS	12	* 4404270024	MANIFOLD ASSEMBLY D. 750 TOP 1"
8	4404040108	AIR PURGE	12	* 4404270025	MANIFOLD ASSEMBLY D. 900 TOP 1"
9	4404020116	O' RING 255X4	13	* 4404010025	MANIFOLD ARM ASSEMBLY D. 400
10	4404040113	DRAIN PLUG AND GASKET	13	* 4404010026	MANIFOLD ARM ASSEMBLY
11	* 4404300917	MANIFOLD ARM 1" 110 M "	13	* 4404010028	MANIFOLD ARM ASSEMBLY D. 650
11	* 4404300915	MANIFOLD ARM 1" 175 M "	13	* 4404010048	MANIFOLD ARM ASSEMBLY D. 750
11	* 4404300916	MANIFOLD ARM 1" 225 M "	14	* 4404010040	FILTER BASE D. 350

**\* -> SEE OBSERVATIONS SHEET**

CODE **30768, 30769, 30770, 30771, 30772, 33847, 33848, 35586**

DESCRIPTION: **ASTER FILTER TOP VALVE**

11	* 4404290109	COLLECTOR ARM 1" 265 M "	14	* 4404010088	FILTER BASE D. 450
14	* 4404010134	FILTER BASE	16	* 4404300607	RIGID PVC PIPE L-525
14	* 4404010113	FILTER BASE D. 600	16	* 4404301003	AIR PURGE + PIPE L=670
14	* 4404300924	FILTER BASE D. 750	16	* 4404300707	RIGID PIPE L-845
14	* 4404010093	FILTER BASE D. 950	17	* 31993	MULTIPOINT VALVE 11/2"
15	* 00471R0416	FLANGE UNEX 2244	17	* 33969	MULTIPOINT VALVE 2"



CODE **30768, 30769, 30770, 30771, 30772, 33847, 33848, 35586**

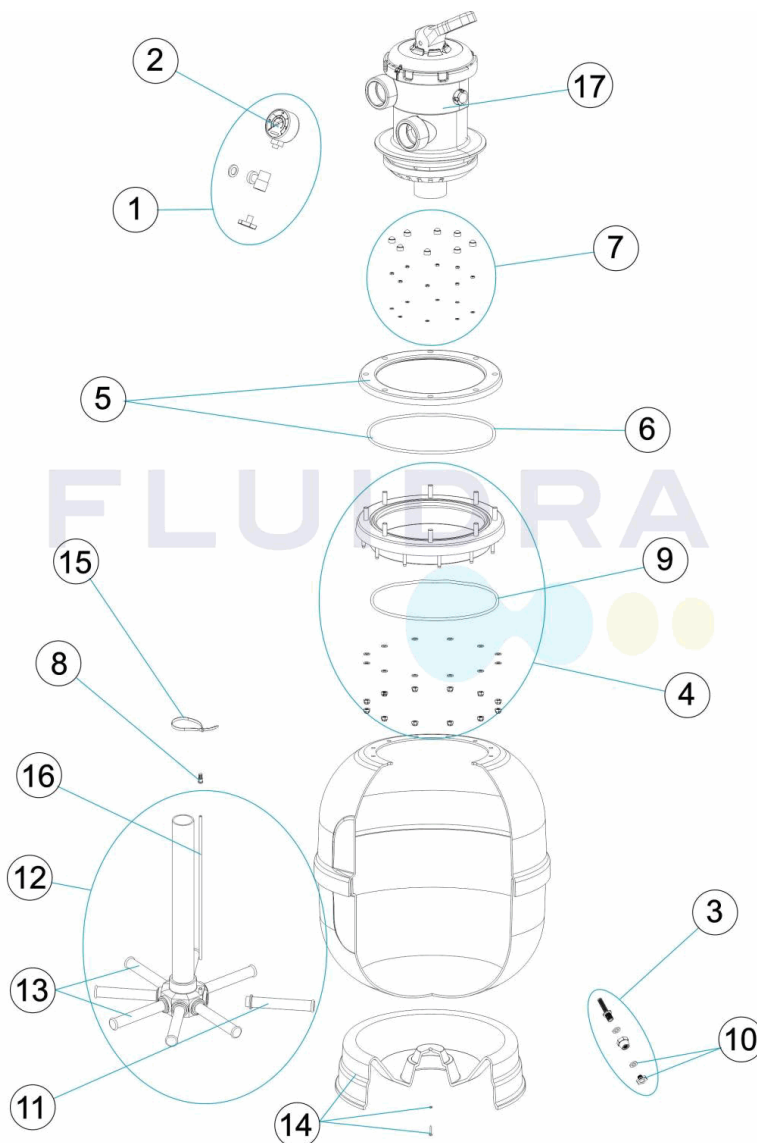
DESCRIPTION: **ASTER FILTER TOP VALVE**

## OBSERVATIONS

POS	CODE	OBSERVATIONS
11	4404300917	FOR: 30768 [4UT], 30769 [4UT], 30770 [4UT], 35586 [4UT]
11	4404300915	FOR: 30771 [4UT], 30772 [4UT]
11	4404300916	FOR: 33847 [6UT]
11	4404290109	FOR: 33848 [6UT]
12	4404270018	FOR: 30768
12	4404270019	FOR: 30769
12	4404270020	FOR: 30770
12	4404270021	FOR: 35586
12	4404270022	FOR: 30771
12	4404270023	FOR: 30772
12	4404270024	FOR: 33847
12	4404270025	FOR: 33848
13	4404010025	FOR: 30768, 30769, 30770, 35586
13	4404010026	FOR: 30771, 30772
13	4404010028	FOR: 33847
13	4404010048	FOR: 33848
14	4404010040	FOR: 30768
14	4404010088	FOR: 30769
14	4404010134	FOR: 30770, 35586
14	4404010113	FOR: 30771, 30772
14	4404300924	FOR: 33847
14	4404010093	FOR: 33848
15	00471R0416	FOR: 30768, 30769
16	4404300607	FOR: 30768, 30769
16	4404301003	FOR: 30770, 30771, 30772, 35586
16	4404300707	FOR: 33847, 33848
17	31993	FOR: 30768, 30769, 30770, 30771, 30772, 35586
17	33969	FOR: 33847, 33848

CODICE **30768, 30769, 30770, 30771, 30772, 33847, 33848, 35586**

DESCRIZIONE: **FILTRO ASTER VALVOLA TOP**



**ITALIANO**

POS	CODICE	DESCRIZIONE	POS	CODICE	DESCRIZIONE
1	4404220101	MANOMETRO COMPLETO	12	* 4404270018	KIT COLLETTORE D. 350 TOP 1"
2	4404220102	MANOMETRO 1/8" 3 KG./C "	12	* 4404270019	KIT COLLETTORE D. 450 TOP 1"
3	4404010108	SCARICO ACQUA 3/8"	12	* 4404270020	KIT COLLETTORE D. 500 TOP 1"
4	4404160809	ANELLO COLLO 20 VITI	12	* 4404270021	KIT COLLETTORE D. 550 TOP 1"
5	4404260105	FLANGIA FISSAGGIO VALVOLE TOP 1 1/2"	12	* 4404270022	KIT COLLETTORE D. 600 TOP 1"
6	4404260106	GUARNIZIONE FLANGIA FISSAGGIO VALVOLE TOP	12	* 4404270023	KIT COLLETTORE D. 650 TOP 1"
7	4404260107	BULLONERIA PER FLANGIA FISSAGGIO VALVOLE TO	12	* 4404270024	KIT COLLETTORE D. 750 TOP 1"
8	4404040108	SFIATO ARIA	12	* 4404270025	KIT COLLETTORE D. 900 TOP 1"
9	4404020116	O-RING 255X4	13	* 4404010025	GRUPPO CANDELOTTO COLLETTORE D. 400
10	4404040113	TAPPO SPURGO E GUARNIZIONE	13	* 4404010026	GRUPPO CANDELOTTO COLLETTORE
11	* 4404300917	CANDELOTTO COLLETTORE 1" 110 M "	13	* 4404010028	GRUPPO CANDELOTTO COLLETTORE D. 650
11	* 4404300915	CANDELOTTO COLLETTORE 1" 175 M "	13	* 4404010048	GRUPPO CANDELOTTO COLLETTORE D. 750
11	* 4404300916	CANDELOTTO COLLETTORE 1" 225 M "	14	* 4404010040	BASE FILTRO D. 350

**\* -> SI FACCIAMO RIFERIMENTO AL FOGLIO DELLE OSSERVAZIONI**

CODICE **30768, 30769, 30770, 30771, 30772, 33847, 33848, 35586**

DESCRIZIONE: **FILTRO ASTER VALVOLA TOP**

11	* 4404290109	CANDELOTTO 1" 265 M/M "	14	* 4404010088	BASE FILTRO D. 450
14	* 4404010134	BASE FILTRO	16	* 4404300607	TUBO PVC RIGIDO L-525
14	* 4404010113	BASE FILTRO D.600	16	* 4404301003	SPURGO ARIA + TUBO L=670
14	* 4404300924	BASE FILTRO D 750	16	* 4404300707	TUBO RIGIDO L-845
14	* 4404010093	BASE FILTRO D. 950	17	* 31993	VALVOLA SELETRRICE 11/2"
15	* 00471R0416	FLANGIA UNEX 2244	17	* 33969	VALVOLA SELETRRICE 2"

**CODICE 30768, 30769, 30770, 30771, 30772, 33847, 33848, 35586**

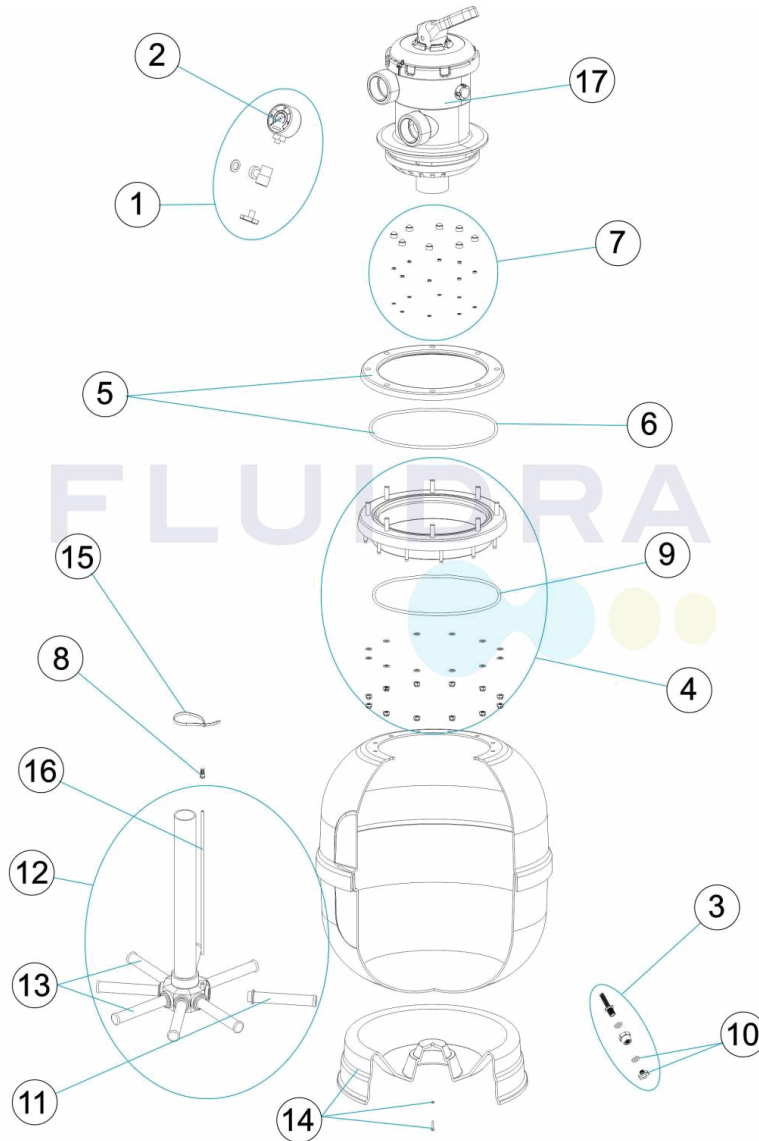
**DESCRIZIONE: FILTRO ASTER VALVOLA TOP**

## OSSERVAZIONI

POS	CODICE	OSSERVAZIONI
11	4404300917	PER: 30768 [4UT], 30769 [4UT], 30770 [4UT], 35586 [4UT]
11	4404300915	PER: 30771 [4UT], 30772 [4UT]
11	4404300916	PER: 33847 [6UT]
11	4404290109	PER: 33848 [6UT]
12	4404270018	PER: 30768
12	4404270019	PER: 30769
12	4404270020	PER: 30770
12	4404270021	PER: 35586
12	4404270022	PER: 30771
12	4404270023	PER: 30772
12	4404270024	PER: 33847
12	4404270025	PER: 33848
13	4404010025	PER: 30768, 30769, 30770, 35586
13	4404010026	PER: 30771, 30772
13	4404010028	PER: 33847
13	4404010048	PER: 33848
14	4404010040	PER: 30768
14	4404010088	PER: 30769
14	4404010134	PER: 30770, 35586
14	4404010113	PER: 30771, 30772
14	4404300924	PER: 33847
14	4404010093	PER: 33848
15	00471R0416	PER: 30768, 30769
16	4404300607	PER: 30768, 30769
16	4404301003	PER: 30770, 30771, 30772, 35586
16	4404300707	PER: 33847, 33848
17	31993	PER: 30768, 30769, 30770, 30771, 30772, 35586
17	33969	PER: 33847, 33848

CODE **30768, 30769, 30770, 30771, 30772, 33847, 33848, 35586**

BESCHREIBUNG: **FILTER ASTER VENTIL TOP**



**DEUTSCH**

POS	CODE	BESCHREIBUNG	POS	CODE	BESCHREIBUNG
1	4404220101	MANOMETER KOMPLETT	12	* 4404270018	SAMMELROHRSET D. 350 TOP 1"
2	4404220102	MANOMETER 1/8" 3 KG/C "	12	* 4404270019	SAMMELROHRSET D. 450 TOP 1"
3	4404010108	WASSERABLAß 3/8"	12	* 4404270020	SAMMELROHRSET D. 500 TOP 1"
4	4404160809	FILTRERING 20 SCHRAUBEN	12	* 4404270021	SAMMELROHRSET D. 550 TOP 1"
5	4404260105	FIXIERRING VENTIL TOP 1 1/2"	12	* 4404270022	SAMMELROHRSET D. 600 TOP 1"
6	4404260106	DICHTUNG FIXIERRING VENTIL	12	* 4404270023	SAMMELROHRSET D. 650 TOP 1"
7	4404260107	SCHRAUBENSATZ FIXIERRING VENTIL	12	* 4404270024	SAMMELROHRSET D. 750 TOP 1"
8	4404040108	ENTLÜFTUNG	12	* 4404270025	SAMMELROHRSET D. 900 TOP 1"
9	4404020116	O-RING 255 X 4	13	* 4404010025	SET FILTERSTERN-SCHLITZROHR D. 400
10	4404040113	ABLAßSTOPFEN UND DICHTUNG	13	* 4404010026	SET FILTERSTERN-SCHLITZROHR
11 *	4404300917	FILTERSTERN-SCHLITZROHR 1" 110 M "	13	* 4404010028	SET FILTERSTERN-SCHLITZROHR D. 650
11 *	4404300915	FILTERSTERN-SCHLITZROHR 1" 175 M "	13	* 4404010048	SET FILTERSTERN-SCHLITZROHR D. 750
11 *	4404300916	FILTERSTERN-SCHLITZROHR 1" 225 M "	14	* 4404010040	FILTERFUSS D. 350

\* -> SIEHE ANMERKUNGSBLATT

CODE **30768, 30769, 30770, 30771, 30772, 33847, 33848, 35586**

BESCHREIBUNG: **FILTER ASTER VENTIL TOP**

11	* 4404290109	FILTERSTERN-SCHLITZROHR 1" 265 M "	14	* 4404010088	FILTERFUSS D. 450
14	* 4404010134	FILTERFUSS	16	* 4404300607	ROHR PVC HART L - 525
14	* 4404010113	FILTERFUSS D. 600	16	* 4404301003	ENTLÜFTUNG UND ROHR L=670
14	* 4404300924	FILTERFUSS D. 750	16	* 4404300707	ROHR HART L - 845
14	* 4404010093	FILTERFUSS D. 950	17	* 31993	MEHRWEGVENTIL 1 1/2"
15	* 00471R0416	FLANSCH " UNEX" REF.2244"	17	* 33969	MEHRWEGVENTIL 2"

CODE **30768, 30769, 30770, 30771, 30772, 33847, 33848, 35586**

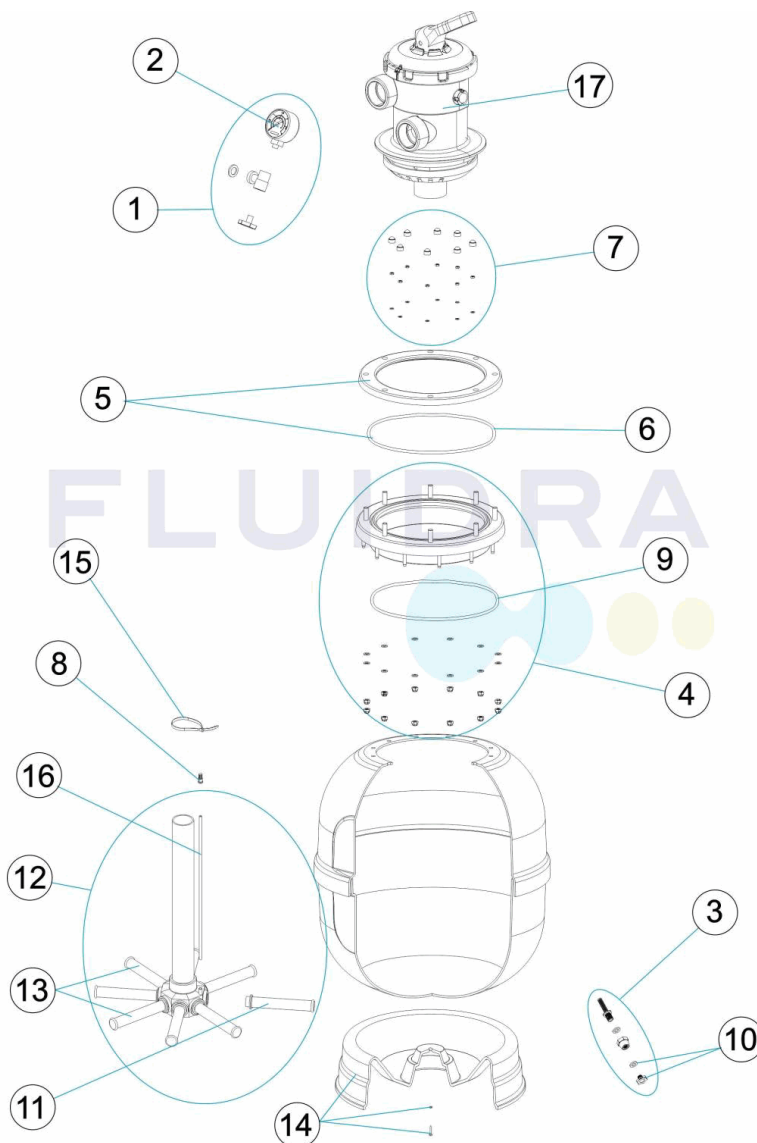
BESCHREIBUNG: **FILTER ASTER VENTIL TOP**

## HINWEISE

POS	CODE	HINWEISE
11	4404300917	FÜR: 30768 [4UT], 30769 [4UT], 30770 [4UT], 35586 [4UT]
11	4404300915	FÜR: 30771 [4UT], 30772 [4UT]
11	4404300916	FÜR: 33847 [6UT]
11	4404290109	FÜR: 33848 [6UT]
12	4404270018	FÜR: 30768
12	4404270019	FÜR: 30769
12	4404270020	FÜR: 30770
12	4404270021	FÜR: 35586
12	4404270022	FÜR: 30771
12	4404270023	FÜR: 30772
12	4404270024	FÜR: 33847
12	4404270025	FÜR: 33848
13	4404010025	FÜR: 30768, 30769, 30770, 35586
13	4404010026	FÜR: 30771, 30772
13	4404010028	FÜR: 33847
13	4404010048	FÜR: 33848
14	4404010040	FÜR: 30768
14	4404010088	FÜR: 30769
14	4404010134	FÜR: 30770, 35586
14	4404010113	FÜR: 30771, 30772
14	4404300924	FÜR: 33847
14	4404010093	FÜR: 33848
15	00471R0416	FÜR: 30768, 30769
16	4404300607	FÜR: 30768, 30769
16	4404301003	FÜR: 30770, 30771, 30772, 35586
16	4404300707	FÜR: 33847, 33848
17	31993	FÜR: 30768, 30769, 30770, 30771, 30772, 35586
17	33969	FÜR: 33847, 33848

CODIGO **30768, 30769, 30770, 30771, 30772, 33847, 33848, 35586**

DESCRIÇÃO: **FILTRO ASTER VÁLVULA TOP**



**PORTUGUES**

POS	CODIGO	DESCRIÇÃO	POS	CODIGO	DESCRIÇÃO
1	4404220101	MANÔMETRO COMPLETO	12	* 4404270018	CJTO. COLECTOR D. 350 TOP 1"
2	4404220102	MANOMETRO 1/8" 3 KG./C "	12	* 4404270019	CJTO. COLECTOR D. 450 TOP 1"
3	4404010108	PURGA AGUA 3/8"	12	* 4404270020	CJTO. COLECTOR D. 500 TOP 1"
4	4404160809	ARO PESCOCOÇO 20 PARAFUSOS	12	* 4404270021	CJTO. COLECTOR D. 550 TOP 1"
5	4404260105	ARO FIXAÇÃO VALVULA TOP 1 1/2"	12	* 4404270022	CJTO. COLECTOR D. 600 TOP 1"
6	4404260106	JUNTA ARO FIXAÇÃO VALVULA TOP	12	* 4404270023	CJTO. COLECTOR D. 650 TOP 1"
7	4404260107	PARAFUSOS ARO FIXAÇÃO VALVULA TOP	12	* 4404270024	CJTO. COLECTOR D. 750 TOP 1"
8	4404040108	PURGA AREIA	12	* 4404270025	CJTO. COLECTOR D. 900 TOP 1"
9	4404020116	JUNTA TÓRICA 255X4	13	* 4404010025	CJTO. BRAÇO COLECTOR D. 400
10	4404040113	TAMPÃO PURGA E JUNTA	13	* 4404010026	CJTO. BRAÇO COLECTOR
11	* 4404300917	BRAÇO COLECTOR 1" 110 M "	13	* 4404010028	CJTO. BRAÇO COLECTOR D.650
11	* 4404300915	BRAÇO COLECTOR 1" 175 M "	13	* 4404010048	CJTO. BRAÇO COLECTOR D. 750
11	* 4404300916	BRAÇO COLECTOR 1" 225 M "	14	* 4404010040	PÉ FILTRO D. 350

**\* -> VEJA A FICHA DE OBSERVAÇÕES**



CODIGO **30768, 30769, 30770, 30771, 30772, 33847, 33848, 35586**

DESCRIÇÃO: **FILTRO ASTER VÁLVULA TOP**

11	* 4404290109	BRAÇO COLECTOR 1" 265 M/M "	14	* 4404010088	PÉ FILTRO D. 450
14	* 4404010134	PÉ FILTRO	16	* 4404300607	TUBO PVC RÍGIDO L-525
14	* 4404010113	PÉ FILTRO D. 600	16	* 4404301003	PURGA AR + TUBO L=670
14	* 4404300924	PÉ FILTRO D 750	16	* 4404300707	TUBO RÍGIDO L-845
14	* 4404010093	PÉ FILTRO D. 950	17	* 31993	VALVULA SELETORA 1 1/2"
15	* 00471R0416	FLANGE UNEX 2244	17	* 33969	VALVULA SELETORA 2"

**CODIGO 30768, 30769, 30770, 30771, 30772, 33847, 33848, 35586**

**DESCRIÇÃO: FILTRO ASTER VÁLVULA TOP**

## OBSERVAÇÕES

POS	CODIGO	OBSERVAÇÕES
11	4404300917	PARA: 30768 [4UT], 30769 [4UT], 30770 [4UT], 35586 [4UT]
11	4404300915	PARA: 30771 [4UT], 30772 [4UT]
11	4404300916	PARA: 33847 [6UT]
11	4404290109	PARA: 33848 [6UT]
12	4404270018	PARA: 30768
12	4404270019	PARA: 30769
12	4404270020	PARA: 30770
12	4404270021	PARA: 35586
12	4404270022	PARA: 30771
12	4404270023	PARA: 30772
12	4404270024	PARA: 33847
12	4404270025	PARA: 33848
13	4404010025	PARA: 30768, 30769, 30770, 35586
13	4404010026	PARA: 30771, 30772
13	4404010028	PARA: 33847
13	4404010048	PARA: 33848
14	4404010040	PARA: 30768
14	4404010088	PARA: 30769
14	4404010134	PARA: 30770, 35586
14	4404010113	PARA: 30771, 30772
14	4404300924	PARA: 33847
14	4404010093	PARA: 33848
15	00471R0416	PARA: 30768, 30769
16	4404300607	PARA: 30768, 30769
16	4404301003	PARA: 30770, 30771, 30772, 35586
16	4404300707	PARA: 33847, 33848
17	31993	PARA: 30768, 30769, 30770, 30771, 30772, 35586
17	33969	PARA: 33847, 33848